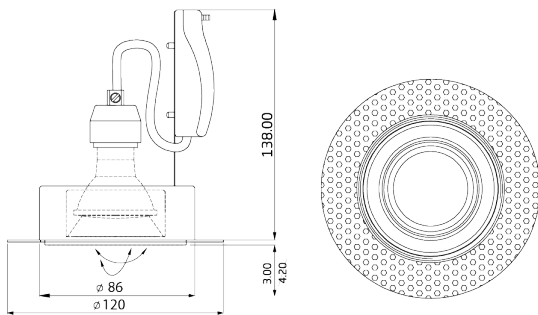


Datasheet

Type: NS18
Itemnr.: 1800510000001



Technical Data

Lumen	354lm or 552lm (pending on GU10 bulb)
Beam Angle	8, 15, 30, 36, 60
Colors Available	Warm white, Neutral white, Cold white
Color Temperature	2700K 3000K, 4000K
Color Rendering	CRI80, CRI90 or CRI95+
MacAdam	Step 3
Consumption	5W, 6W or 8W (Opt LED engine 15W)
Voltage Range	220 ~ 240VAC 50/60Hz (GU10 voltage)
10A Fuse Type C	Typical 35 pcs (Start Current limit)
Leakage current	Pending on light source
Efficiency	Typical 69-100 lm/W
Equal To	NS18 6W = GU10 halogen bulb 50W
Lifetime TM-21	Pending on light source
Lifetime LEDs	Pending on light source
Lifetime driver	Pending on light source
Dimmable	Pending on light source
IP Code	IP20
IK Class	IK00
Class	2, Double Insulated
Working temp	-20 to 45 degree Celsius
Size	Ø120mm x Height terminalbox is adjustable
Cut out	Ø86 mm (same with or without tube)
Installation	Recessed (trimless, no frame)
Linkable cables	Yes, entry for two cables
Material used	Aluminum, Steel frame, plastic conn. box
Weight	0,2 Kg
Shipping	Package of 30 pcs
IES File	Yes
Certificates	CE, ROHS, TM21, LM80, IES
Warranty	5 years*
Housing	White, Black, Other RAL and Brass
Included	Complete lamp housing, terminal block

Lumega Europe ApS
Phone +4571995825
info@lumega.eu
www.lumega.eu

