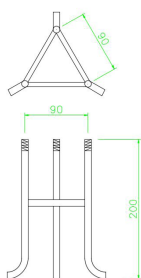
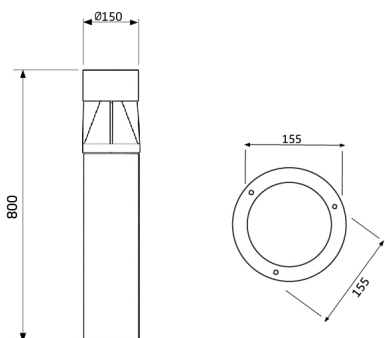


Datasheet

Type: NS85
Itemnr.: 8500180830002



Technical Data

Lumen	1.060lm or 1.590lm
Beam Angle	Lambertian (different distributions)
Colors Available	Warm white or Neutral white
Color Temperature	2700K, 3000K or 4000K
Color Rendering	CRI80 (Option CRI90)
MacAdam	Step 5 (Option Step 3)
Color Bin	V6
Consumption	10W or 15W
Voltage Range	220 ~ 240VAC 50/60Hz
Current LEDs	700mA
PF Power Factor	>95 @ Full load
Flicker	<1 % Flicker free (IEEE Std. 1789-2015)
10A Fuse Type C	Max. 16 luminaires (Start Current limit)
Leakage current	< 0,5mA @ 240V AC
Efficiency	106 lm/W (LEDs 160 lm/W)
Equal To	NS85 15W = Fluorescent tube TC-TEL 26W
Lifetime TM-21	100K hours at Ta = 25°C (L70) B50
Lifetime LEDs	100K hours at Ta = 25°C (L80) B50
Lifetime driver	100K hours at Ta = 25°C (MTBF) B50
Dimmable	Option DALI, 0-10V or Sensor solution
IP Code	IP65
IK Class	IK10
Class	2, Double Insulated
Working temp	-25 to 50 degree Celsius
Size	Ø150 x H800 mm (custom heights possible)
Frame	Ø155 mm
Installation	With anchor or with the included ground ring
Linkable cables	Yes, terminal inside lamp housing
Material used	Aluminum, PMMA for frontglass
Weight	5 Kg
Shipping	Package of 1 pcs
IES File	Yes
Certificates	CE, ROHS, TM21, LM80, IES
Other	ENEC, only for driver unit
Warranty	5 years*
Housing	White, graphite grey, black or optional RAL
Included	Complete lamp housing, LEDs, driver

Lumega Europe ApS
Phone +4571995825
info@lumega.eu
www.lumega.eu

