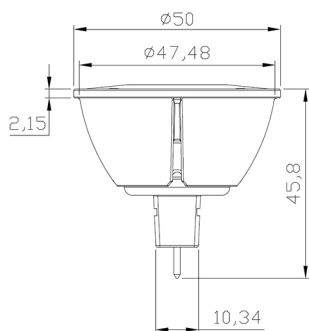
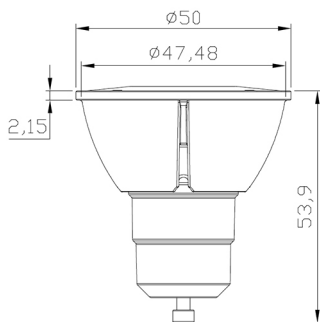


# Datasheet

Type: OS0074 LED GU10  
Itemnr.: 9909030927003



## Technical Data

Lumen	600lm (LEDs 700lm)
Beam Angle	10, 12, 24, 36
Colors Available	Warm white, Neutral white, Cold white
Color Temperature	2700K, 3000K, 4000K
Color Rendering	CRI90+ (R9 +50)
MacAdam	Step 3
Color Bin	N/A
Consumption	6,5W
Voltage mains	220 ~ 240VAC 50/60Hz
Current LEDs	350mA
10A Fuse Type C	Max. 32 luminaires (Start Current limit)
16A Fuse Type C	Max. 54 luminaires (Start Current limit)
Leakage current	< 0,5mA @ 240V AC
Efficiency	92 LPW (LEDs 120 LPW)
Equal To	LED 6,5W = GU10 50W Halogen bulb
Lifetime TM-21	N/A
Lifetime	30K hours at Ta = 25°C (L70) B10
Dimmable	Triac/Leading edge
IP Code	IP20
IK Class	IK00
Class	2, Double Insulated
Working temp	-20 to 40 degree Celsius
Size	See sketch on the left
Cut out	N/A
Installation	Used in downlights either MR16 or GU10
Linkable cables	N/A
Material used	Aluminum, PMMA for frontglass
Weight	0,1 Kg
Shipping	Package of 100 pcs
IES File	Yes
Certificates	CE, ROHS, LM80, LM79, IES
Warranty	3 years* (Covered by Lumega Group)
Housing	White or Aluminum

Lumega Europe ApS  
Phone +4571995825  
info@lumega.eu  
www.lumega.eu