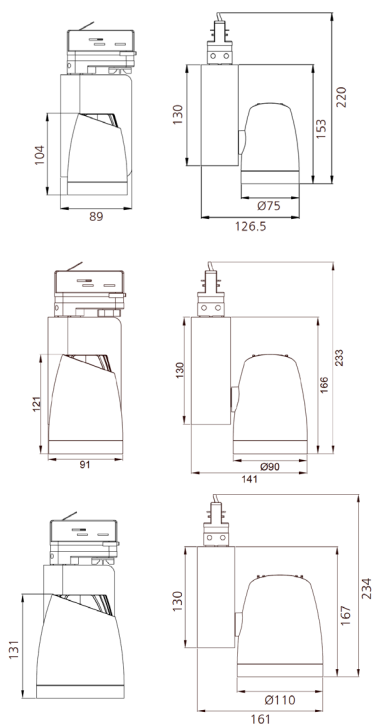


# Datasheet

Type: NS70  
Itemnr.: 2128300001



## Technical Data

Lumen	1.380lm, 2.625lm, 3.675lm, 4.725lm
Beam Angle	15, 24, 45 or 60
Colors Available	Warm white, Neutral white, Cold white
Color Temperature	3000K, 4000K, 5000K (opt tunable white)
Color Rendering	CRI80 (Option CRI90+)
MacAdam	Step 3 (Option Step 2)
Color Bin	23
Consumption	12W, 25W, 35W, 45W (LEDs 40W)
Voltage Range	100 ~ 240VAC 50/60Hz
Current LEDs	280mA to 1050mA
PF & Flicker	Power Factor >90 & Flicker <5 % (Custom)
10A Fuse Type C	Max. 19 luminaires (Start Current limit)
16A Fuse Type C	Max. 24 luminaires (Start Current limit)
Leakage current	< 0,5mA @ 240V AC
Efficiency	105 LPW (LEDs 130 LPW) - Custom possible
Equal To	NS70 45W = HIT-TC 70W Metal Halide lamp
Lifetime TM-21	60K hours at Ta = 25°C (L80) B10
Lifetime LEDs	84K hours at Ta = 25°C (L80) B10
Lifetime LEDs	61K hours at Ta = 35°C (L80) B10
Lifetime driver	50K hours at Ta = 25°C (MTBF) B10
Dimmable	Option DALI
IP Code	IP20
IK Class	N/A
Class	2, Double Insulated
Working temp	-20 to 45 degree Celsius
Size	See sketches on the left
Cut out	N/A
Installation	3-phase universal track or DALI track
Suitable tracks	Unipro or Global
Material used	Die cast aluminum, glass for frontglass
Weight	1,8 Kg
Shipping	Package of 12 pcs
IES File	Yes
Certificates	CE, ROHS, TM21, LM80, IES
Warranty	5 years*
Housing	White, black or grey
Included	Complete lamp housing, LEDs, Adapter, driver

Lumega Group  
Phone +4571995825  
info@lumega.eu  
www.lumega.eu

